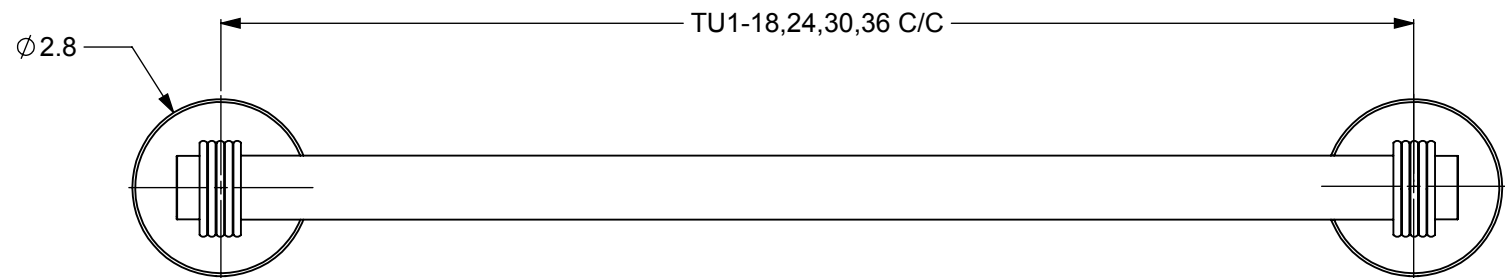
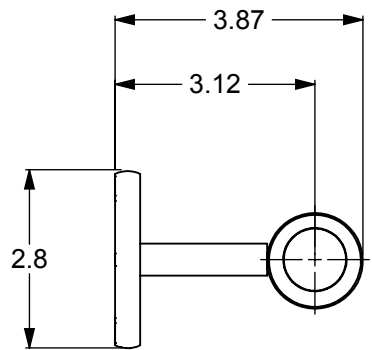
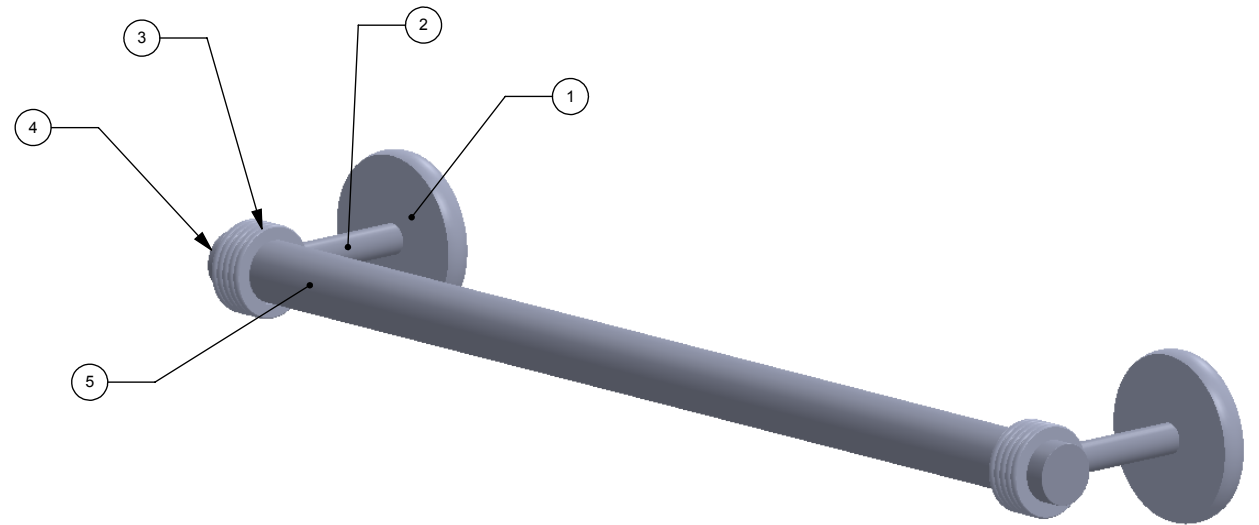


|   |                 |           |   |
|---|-----------------|-----------|---|
| 1 | BPRD            | BASE      | 2 |
| 2 | TU12-.75        | TUBE      | 2 |
| 3 | RGGV            | CONNECTOR | 2 |
| 4 | Card-1          | END LOCK  | 2 |
| 5 | TU1-18,24,30,36 | TUBE      | 1 |

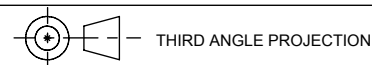


NOTE:  
1. UNIT IS IN INCHES

UNLESS OTHERWISE STATED

|      |         |
|------|---------|
| .X   | ±.3mm   |
| .XX  | ±.15mm  |
| .XXX | ±.008mm |

COPYRIGHT © Allied Brass 2016



|          |           |     |
|----------|-----------|-----|
| DRAWN    | 2/21/2016 | I.M |
| CHECKED  | 2/21/2016 | P.D |
| APPROVED | 2/21/2016 | R.A |

|              |           |
|--------------|-----------|
| MATERIAL:    | BRASS     |
| DESCRIPTION: | TOWEL BAR |



|             |       |
|-------------|-------|
| FINISH      | TBD   |
| QUANTITY    | TBD   |
| DRAWING No. | 7251G |
| REV         | 0     |
| SCALE       | 1:3   |
| SHEET: 01   | A4    |